

ASAHI Corsair

Microcatheter

Micro/Support Hybrid Catheter

Improving ease and safety for complex cases by:

Tungsten Braiding

SHINKA-Shaft

- Crossing tortuous microchannels
- Saving contrast media with super-selective tip injection
- Providing support for GW crossing
- Maintaining the channel for GW exchange or reshaping

Tapered Soft Tip

Reinforced Tapered Shaft

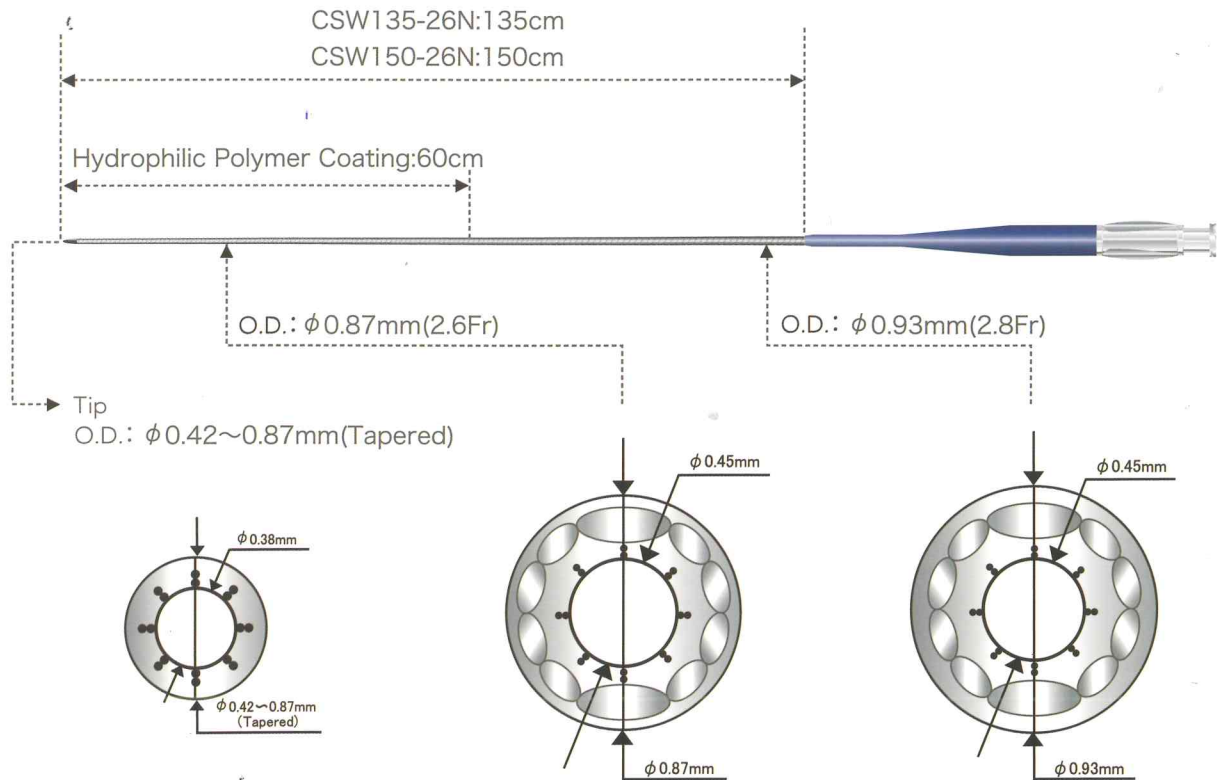
Hydrophilic Polymer Coating

A unique hybrid catheter –
easing the approach to complex lesions

ASAHI
Corsair
Microcatheter

"ACTONE" cable tube technology inside.
"ACTONE" is a trademark or a registered trademark of ASAHI INTECC CO., LTD. in the U.S. and/or other countries.

Structure



Ordering Information

Product	Catalog No.	O.D.of Distal Shaft (mm/Fr.)	O.D.of Proximal Shaft (mm/Fr.)	Tip I.D. (mm/inch)	Shaft I.D. (mm/inch)	Usable Length (cm)	Recommended G.W. (mm/inch)	Max. Pressure (kPa/psi)
ASAHI Corsair	CSW135-26N	0.87/2.6	0.93/2.8	0.38/0.015	0.45/0.018	135	0.36/0.014	2,070/300
	CSW150-26N	0.87/2.6	0.93/2.8	0.38/0.015	0.45/0.018	150	0.36/0.014	2,070/300

CE 0344

Manufactured by:

ASAHI INTECC

ASAHI INTECC CO.,LTD.

<http://www.asahi-intecc.com>

1703 Wakita-cho, Moriyama-ku, Nagoya, Aichi 463-0024 Japan

TEL: +81-52-768-1210 Fax: +81-52-768-1219

ASAHI INTECC CO., LTD. EUROPE

Strawinskylaan 449
(WTC Tower C - 4th floor)
1077 XX Amsterdam,
The Netherlands
TEL: +31-(0)20-794-0640
FAX: +31-(0)20-794-0641

ASAHI INTECC USA, INC.

2500 Red Hill Avenue, Suite 210
Santa Ana, California,
92705, USA
TEL: +1-949-756-8252
FAX: +1-949-756-8165

ASAHI INTECC(THAILAND) CO., LTD.

158/1 Moo5,
Bangkadi Industrial Park,
Tiwanon Road, Tambol Bangkadi,
Amphur Muang,
Pathumthani 12000,
Thailand
TEL: +66-2-501-1302
FAX: +66-2-501-1305

ASAHI INTECC CO., LTD.

SINGAPORE REP OFFICE
3 Bishan Place
#06-01 Bishan CPF Building
Singapore 579838
TEL: +65-6250-4248
FAX: +65-6250-4247

Distributed by: